



# **DS-447 Lap Timer Pro**

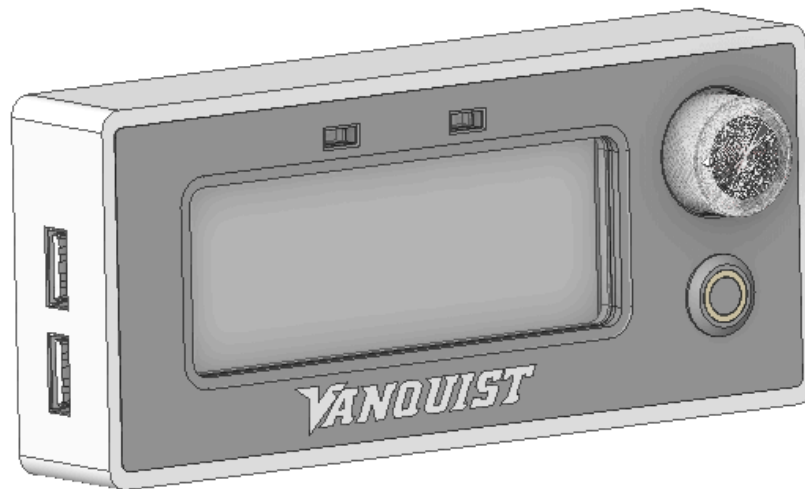
## **User Guide**



# Contents

<b>Contents</b>	<b>2</b>
<b>Introduction</b>	<b>3</b>
Product Overview – Vanquist DS-447 PRO	3
<b>Package Contents</b>	<b>4</b>
<b>Safety, Environmental &amp; Regulatory Information</b>	<b>5</b>
<b>Parts and Features</b>	<b>6</b>
Lap Timer	6
TrackLink mini	7
Adjustable Mount	8
<b>Mounting Device</b>	<b>9</b>
Mounting directly into the device	9
Mounting into the TrackLink Dock	10
⚠ Safety Warning – Mounting and Screw Compatibility	11
<b>Operation</b>	<b>12</b>
TrackLink Docking System Setup	12
Screen Setup	13
Buttons Setups	14
Dash Controls	15
<b>Troubleshooting</b>	<b>16</b>
<b>Getting Help</b>	<b>17</b>
Contacting Vanquist Support	17

## Introduction



### Product Overview – Vanquist DS-447 PRO

The Vanquist DS-447 PRO is a high-performance dashboard designed for sim racing enthusiasts seeking precision and reliability. This compact lap timer provides real-time telemetry, including lap times, sector splits, speed, and other essential racing data.

With its clear and responsive display, the DS-447 PRO ensures that all critical information is easily accessible while racing. Whether mounted on a rig or used with a compatible Vanquist docking system, this device is engineered to enhance your performance on track.

**hot-swapping** devices between other TrackLink docking stations, providing flexibility and convenience for your sim racing setup.

## Package Contents

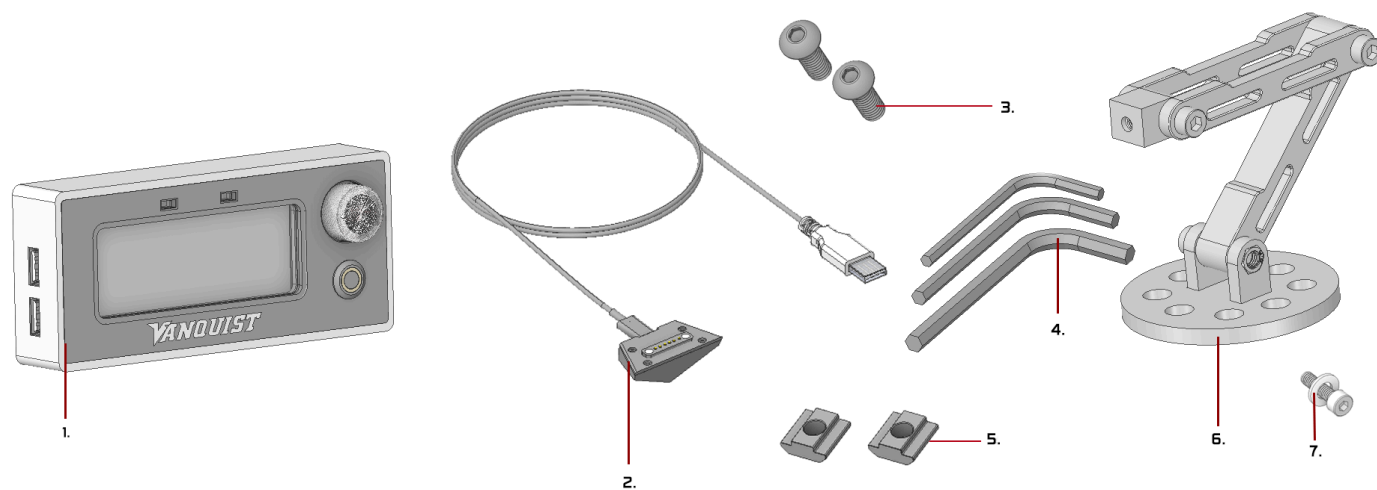


Figure 1. Package contents

1. DS-447 Lap Timer PRO
2. TrackLink mini connector
3. 2x M8 Socket pan head screws
4. M4, M5 and M6 Allen keys
5. 2x M8 T-nuts
6. Adjustable mount
7. M4 socket screw and washer
8. Quick guide
9. Warranty term

## Safety, Environmental & Regulatory Information

Category	Details
<b>Safety</b>	<ul style="list-style-type: none"><li>• For indoor use only. Keep away from water, moisture, and high humidity.</li><li>• Use only with USB power sources compliant with USB 2.0 or higher.</li><li>• Power Supply: 5V DC via USB, max draw 500mA.</li><li>• Avoid overloading USB hub ports; use powered hubs for high-draw peripherals.</li><li>• Contains magnetic components – keep away from pacemakers and magnetic-sensitive devices.</li><li>• Not intended for use by children. Contains small parts and magnets.</li><li>• Secure mounting is required to prevent damage or disconnection during use.</li></ul>
<b>Environmental</b>	<ul style="list-style-type: none"><li>• Must not be disposed of with household waste. Recycle per local electronic waste regulations (WEEE).</li><li>• RoHS compliant – free of lead, mercury, cadmium, and other hazardous substances.</li><li>• Packaging is recyclable. Dispose of according to local guidelines.</li></ul>
<b>Regulatory (Canada)</b>	<ul style="list-style-type: none"><li>• ISED Canada: Compliant with ICES-003 Class B and RSS standards.</li><li>• CE Marking: Compliant with EU safety and EMC standards.</li></ul>

## Parts and Features

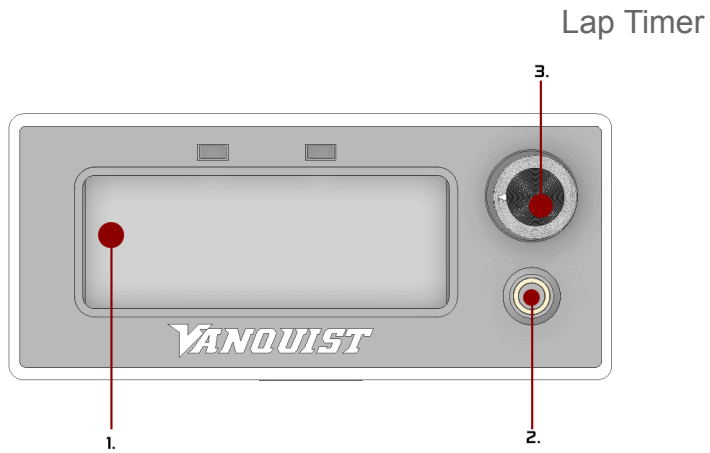


Figure 2. Front view

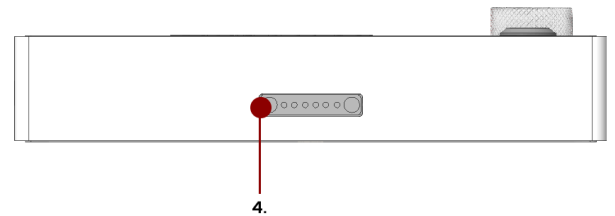


Figure 3. Bottom View

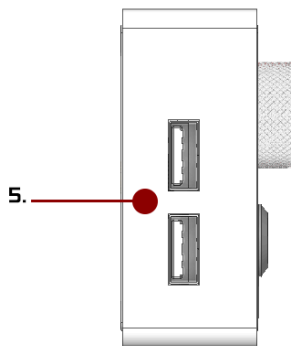


Figure 4. Side view

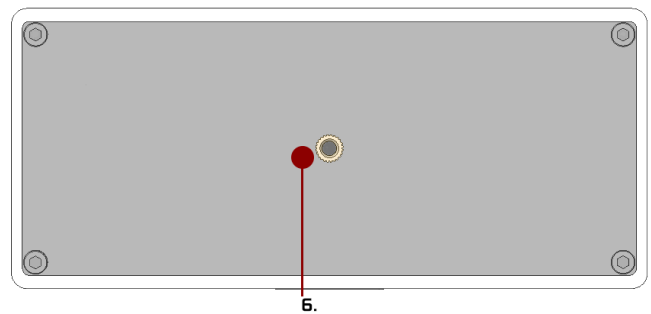


Figure 5. Rear view

1. 4" Vocore touchscreen
2. Push button with LED ring
3. Rotary Encoder with push button functionality
4. TrackLink Magnetic connector
5. Integrated USB Hub
6. Mounting thread insert

## TrackLink mini

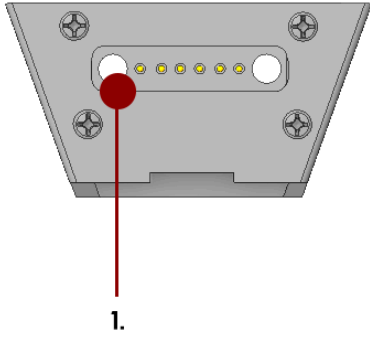


Figure 5. Top view

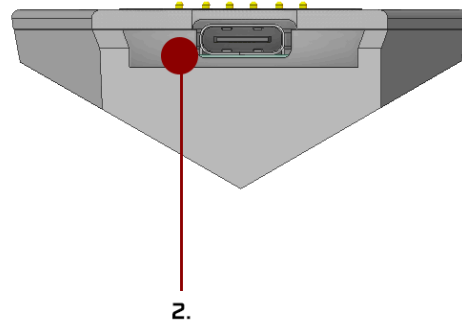


Figure 6. Rear view

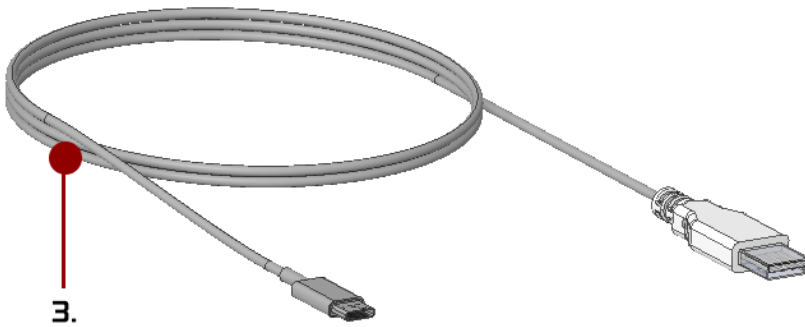


Figure 7. Accessory front-side view

1. TrackLink magnetic connector
2. USB-C connector
3. 6ft USB-C to USB-A cable

## Adjustable Mount

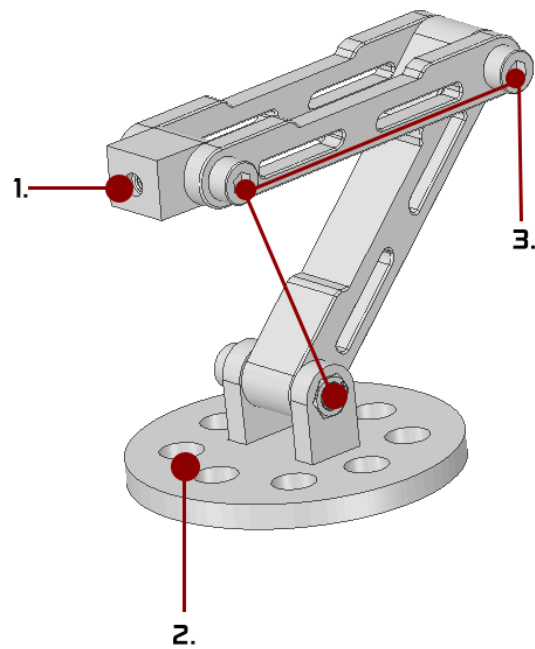
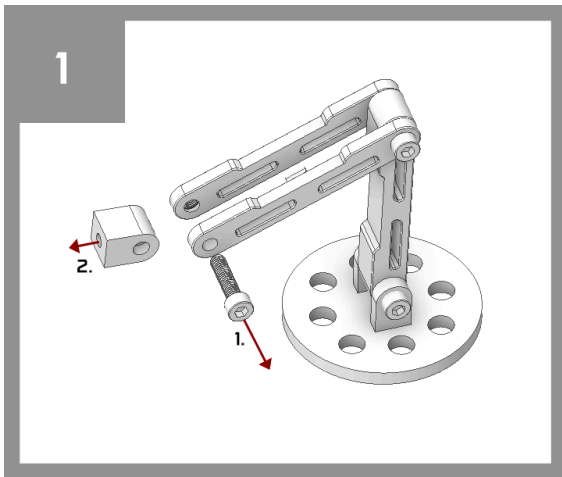


Figure 8. Adjustable mount

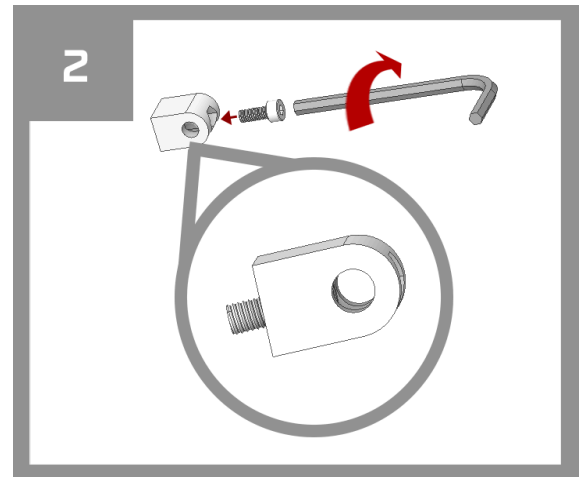
1. Mount to device
2. Mounting base to cockpit
3. Tighten screws

## Mounting Device

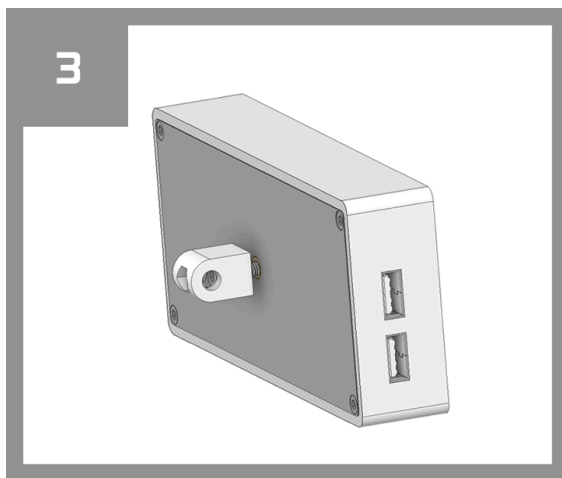
Mounting directly into the device



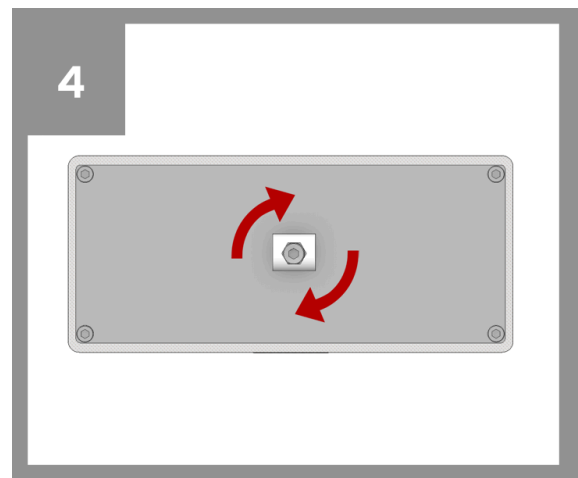
1. Remove the screw and the end block from the mount



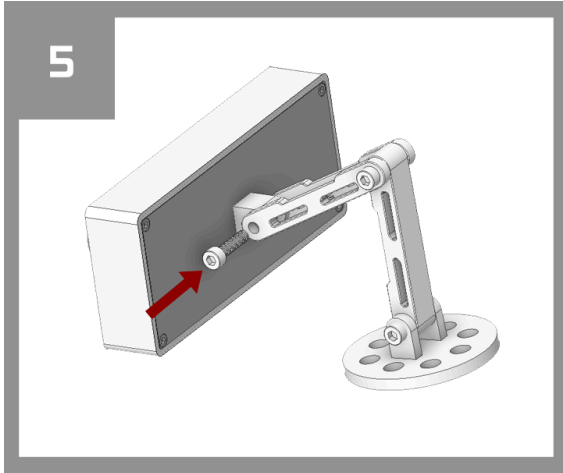
2. Insert the M4 screw through the end block until it clears the side hole



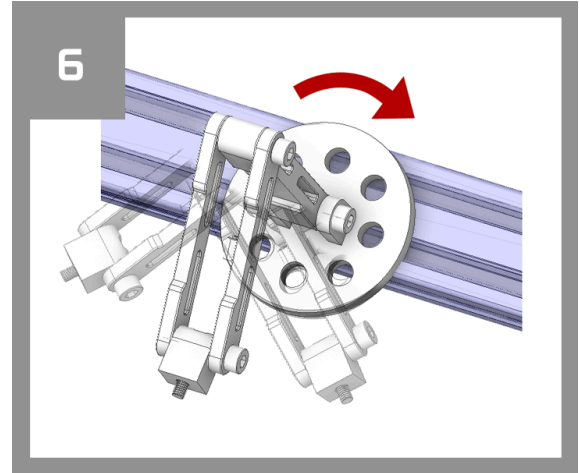
3. Intert the screw into the threaded insert on the back of the device



4. Using finger pressure only, screw the end block until it touches firmly the back of the device. Do not overtighten. You can use the Allen key to fine tune it

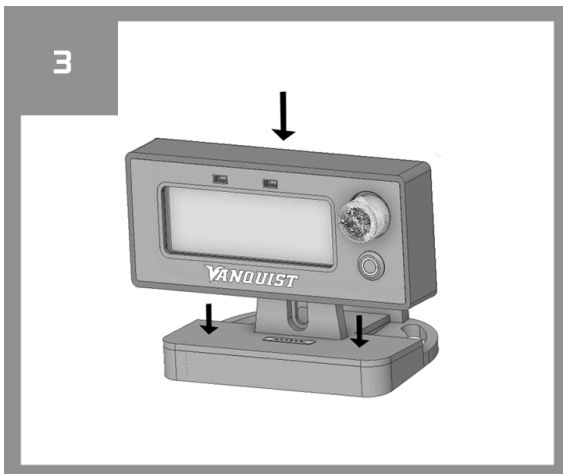
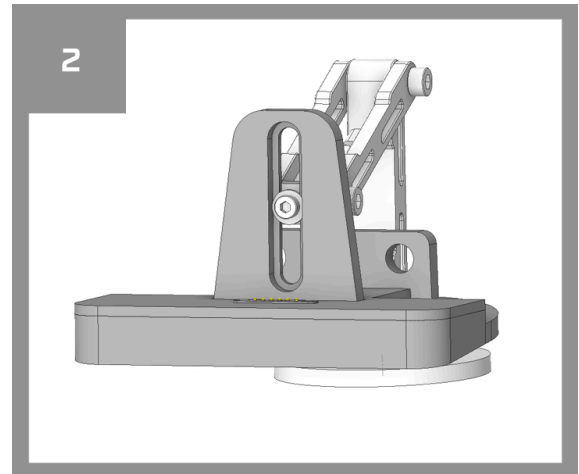
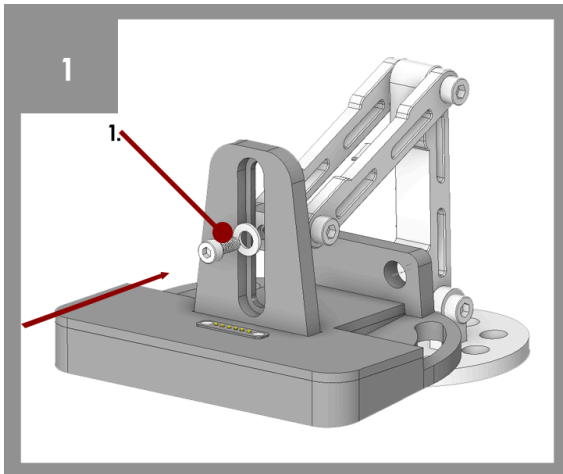


5. Reinstall the screw through the end block



6. Adjust the mount as you need using the provided M8 screws and t-nuts

### Mounting into the TrackLink Dock



1. Drive the M4 screw using the washer provided
2. Drive the screw until it is flush with the back of the dock
3. Install the DS-447 Lap Timer PRO

## ⚠ Safety Warning – Mounting and Screw Compatibility

For optimal safety and device integrity, **always use the safety screw provided by Vanquist** when installing the unit on motion rigs or cockpits that may lack structural rigidity.

If you are using an adjustable mount, ensure it is vertically offset (up or down) to allow proper clearance for the safety screw.

**Do not substitute the original screw.** If replacement is necessary, the screw must match the exact **length and clearance specifications** of the original. Using an incorrect screw type or length may cause internal damage to the device and **will void your warranty**.

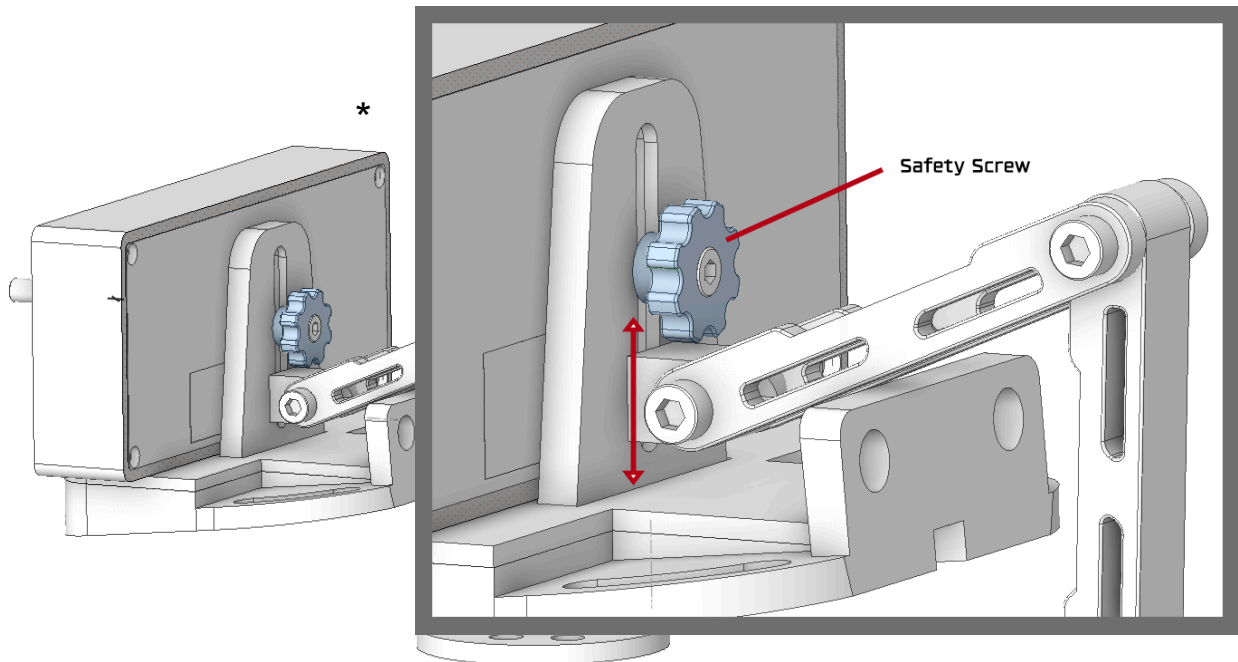


Figure 7. Safety screw / mount offset (\*Lap Tlmer not included)

## Operation

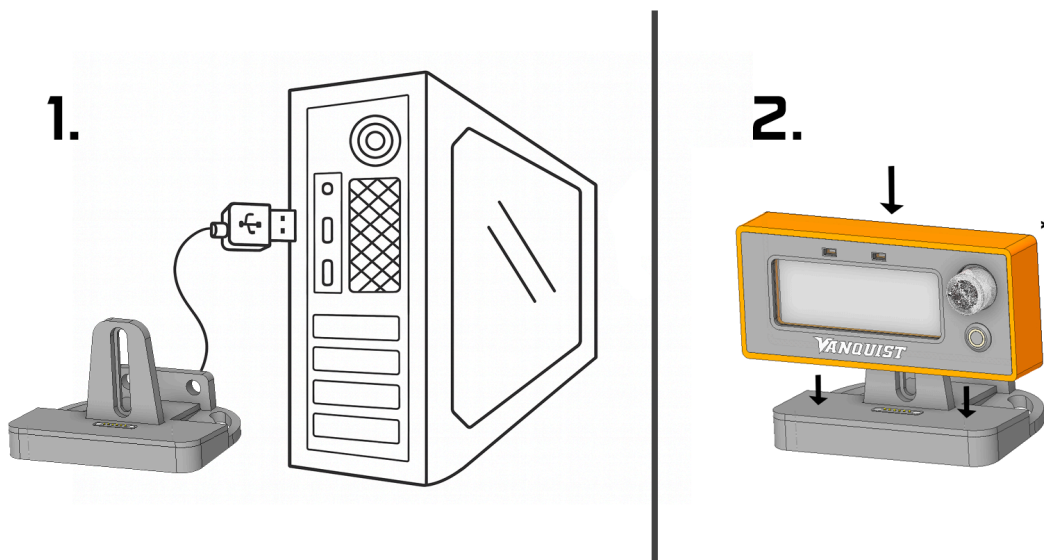
### TrackLink Docking System Setup

The Vanquist TrackLink mini and TrackLink dock are **plug-and-play** solutions that require **no software installation**.

However, the setup process may vary depending on the specific device connected to the docking station. Some devices may require additional software or drivers to function properly.

For detailed setup instructions, please refer to the **user manual of the connected device**.

### Installation Steps



1. **Connect the USB cable** from the docking station to an available USB port on your PC.
2. **Attach your DS-447 PRO** to the docking station and follow the appropriate setup instructions provided in the device's user manual.

# Screen Setup

## 1. Install SimHub

Download and install the latest version of SimHub from the official website.

## 2. Download Dash Template

Download the *Vanquist DS-447 PRO* dash template from the product webpage.

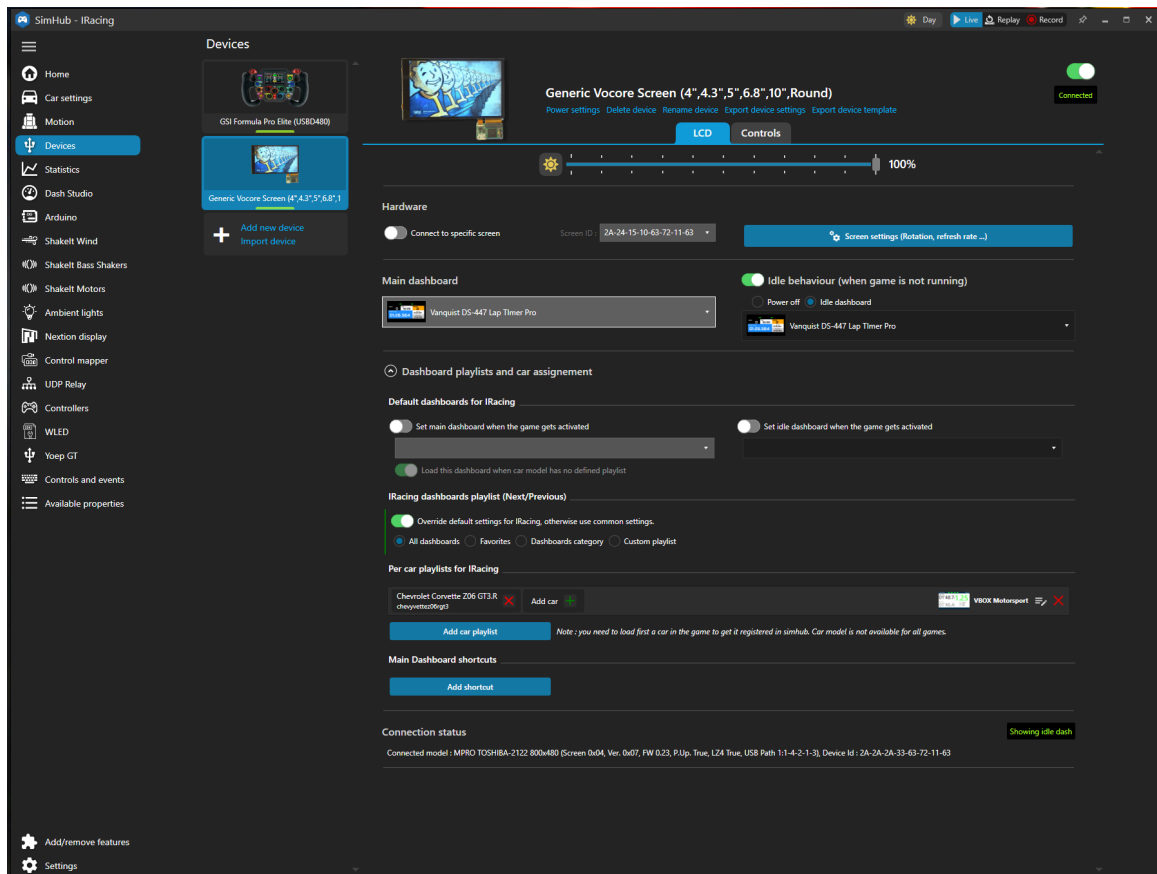
## 3. Extract Dash Files

Unzip the downloaded file and copy its contents into the following SimHub directory:

`C:\Program Files (x86)\SimHub\DashTemplates`

## 4. Configure in SimHub

- Launch SimHub.
- Navigate to **Devices**.
- Select **Generic Vocore Screen**.
- Set **Vanquist DS-447 Lap Timer PRO** as the main dashboard.



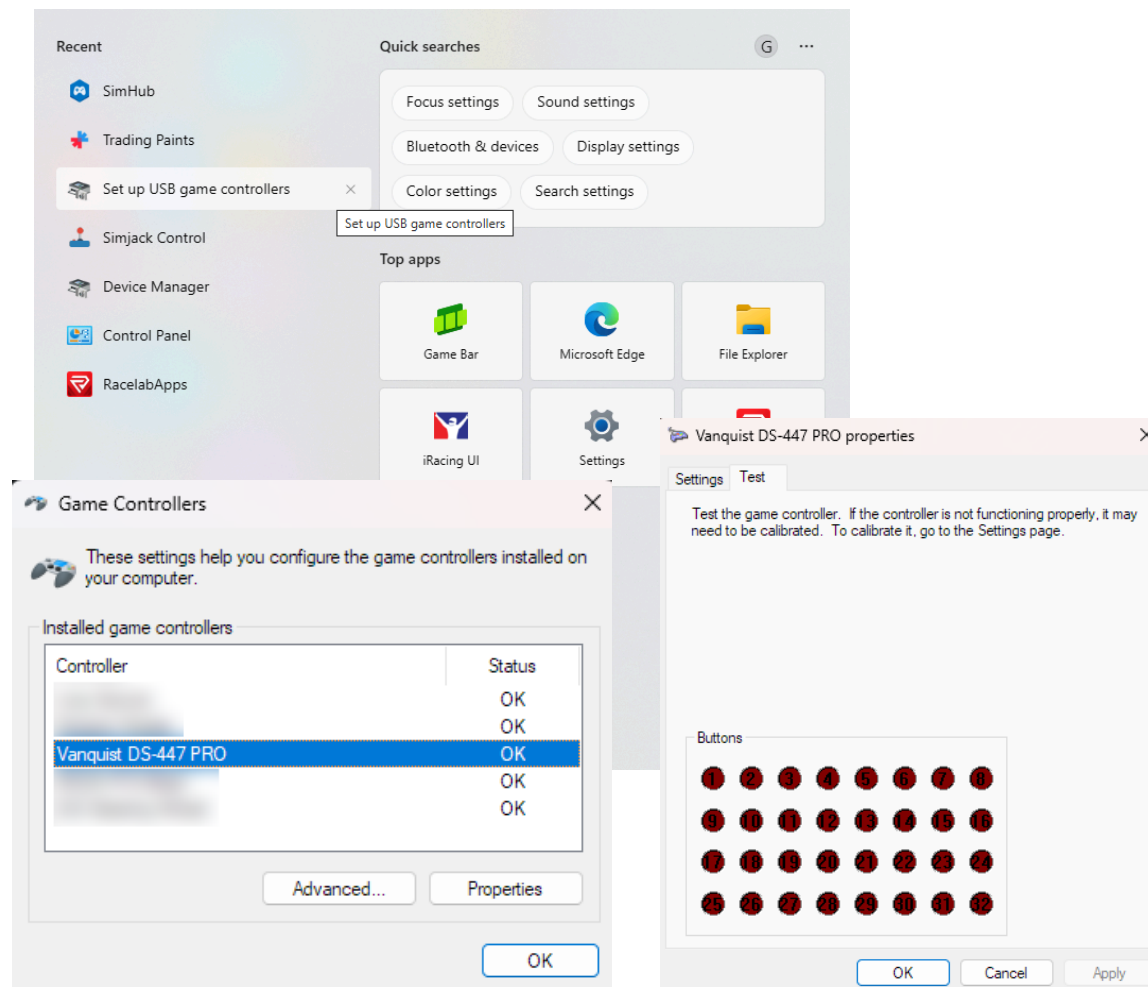
Once the setup is complete, the screen will display a white idle screen with the Vanquist logo.

## Buttons Testing and Setup

When you connect the **Vanquist DS-447 PRO**, Windows will detect it both as a **Vocore Screen** and as a **USB game controller**.

1. Open the Windows search bar and type "**game controller**".
2. Click on **Set up USB gaming controllers**.
3. In the list, select **Vanquist DS-447 PRO** and click **Properties**.
4. You can now test each button.

These buttons can be assigned to in-game functions or used to control the dash within SimHub.  
(see page 15 for detailed control options).

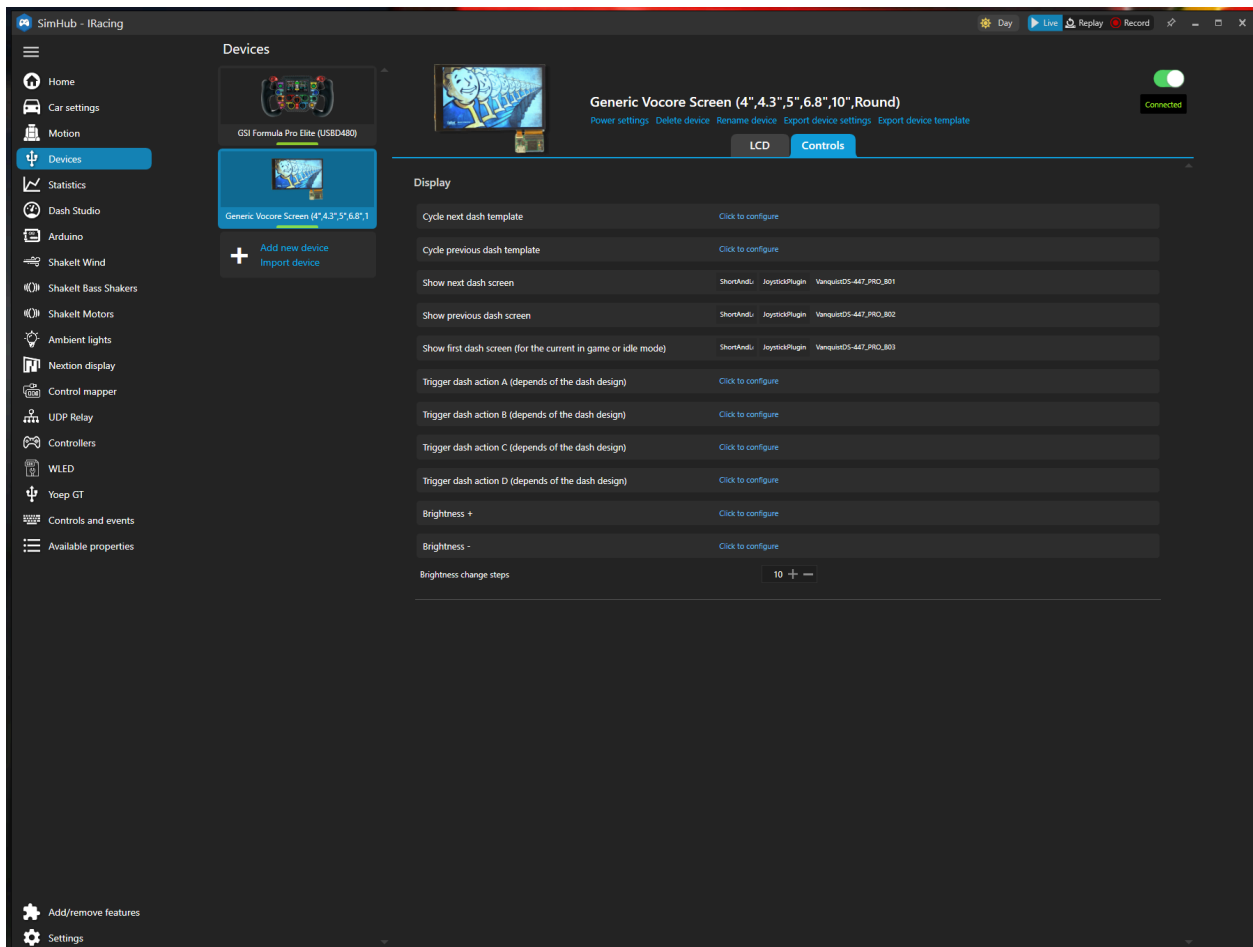


## Dash Controls

The DS-447 PRO buttons can be customized to control dashboard features in SimHub.

1. Open **SimHub** and go to **Devices**.
2. Select **Generic Vocore Screen**, then click on **Controls**.
3. Assign your preferred dashboard functions to the buttons of your choice.

This allows you to switch pages, reset lap timers, and more directly from the DS-447 PRO.



## Troubleshooting

Symptom	Suggested Solution
<b>Device is turning on and off</b>	<ul style="list-style-type: none"> <li>- If using a USB hub, try connecting directly to the PC.</li> <li>- If already connected to the PC, try a different USB port.</li> <li>- Try using a <b>powered</b> USB hub.</li> <li>- Connect and disconnect the device multiple times, pressing firmly and holding for a few seconds between attempts. The spring-loaded connector may occasionally stick and require reseating.</li> </ul>
<b>My device takes a long time to display an image or start functioning</b>	Some devices may take longer to initialize during the first connection or after being unused with that dock for an extended period. Please allow time for the operating system and SimHub to recognize the device. Subsequent connections are typically faster.
<b>My dock has a rattling sound, like something is loose inside</b>	The magnetic connector inside the dock has a small clearance to allow movement and ensure compatibility with various devices. A slight rattling sound is normal and should not be noticeable when a device is properly connected.
<b>The dash template looks misconfigured</b>	<p><b>Check Font Installation</b></p> <p>Ensure the font file <code>hyperspace-race-bold.otf</code> is located in the following folder: <code>C:\Program Files (x86)\SimHub\DashTemplates\Vanquist DS-447 Pro\_SHFonts</code></p> <p><b>Install the Font (if needed)</b></p> <p>If the font is present but the dashboard still appears incorrect, double-click the <code>hyperspace-race-bold.otf</code> file.</p> <p>Click <b>Install</b> to add it to your system fonts.</p> <p>Installing the correct font ensures the dashboard displays as intended.</p>

# Getting Help

## Contacting Vanquist Support

For technical assistance or product support:

1. Visit [vanquist.ca/contact-us](https://vanquist.ca/contact-us)
2. Complete the contact form with a detailed description of your issue
3. You will receive a confirmation email containing your **support ticket number**

Our support team will review your request and respond as soon as possible.