



TrackLink Docking Station

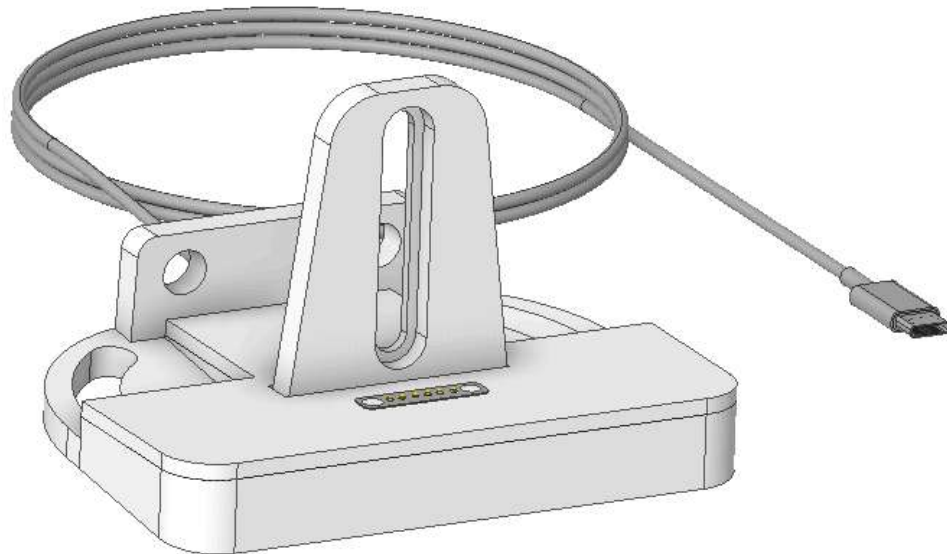
User Guide



Contents

Contents	2
Introduction	3
Product Overview – TrackLink Docking Station TL-D002	3
Package Contents	4
Safety, Environmental & Regulatory Information	5
Parts and Features	6
Mounting Options	7
⚠ Safety Warning – Mounting and Screw Compatibility	8
Operation	9
TrackLink Docking System Setup	9
Troubleshooting	10
Getting Help	11
Contacting Vanquist Support	11

Introduction



Product Overview – TrackLink Docking Station TL-D002

The **TrackLink Docking Station TL-D002** is designed to seamlessly connect Vanquist dashboards and flag indicators to your system. Utilizing a **magnetic connector** and a **USB Type-C interface**, this docking station ensures a secure and reliable connection.

When a compatible Vanquist device is docked, it becomes fully accessible through **SimHub**, allowing you to take full advantage of its features. The modular design also supports **hot-swapping** devices between other TrackLink docking stations, providing flexibility and convenience for your sim racing setup.

Package Contents

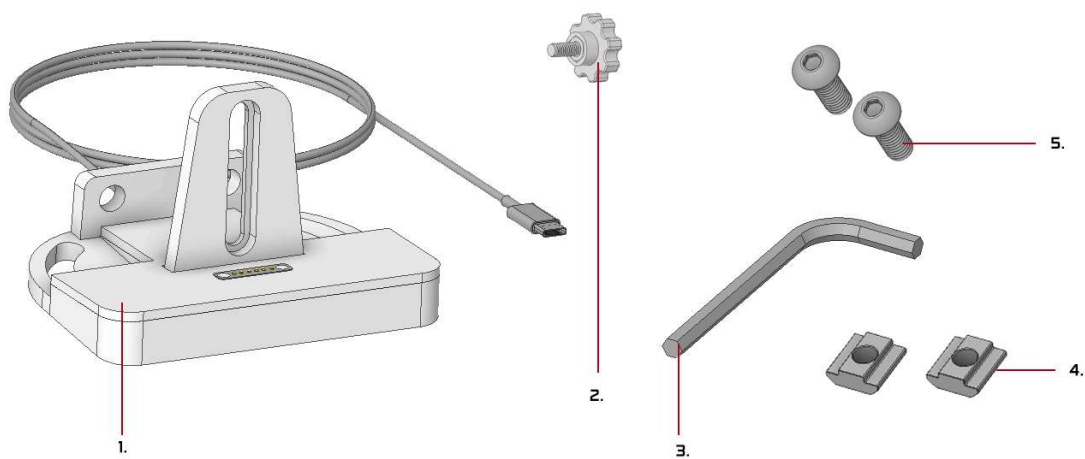


Figure 1. Package contents

1. TrackLink Docking System with 6ft USB Cable
2. Safety Screw
3. M6 Allen Key
4. 2x M8 T-Nuts
5. 2x M8 Socket pan head screws

Safety, Environmental & Regulatory Information

Category	Details
Safety	<ul style="list-style-type: none"> • For indoor use only. Keep away from water, moisture, and high humidity. • Use only with USB power sources compliant with USB 2.0 or higher. • Contains magnetic components. Keep away from pacemakers and magnetic-sensitive devices. • Not intended for use by children. Contains small parts and magnetic elements.
Environmental	<ul style="list-style-type: none"> • This device must not be disposed of with household waste. Please recycle according to local electronic waste regulations (WEEE compliant). • Manufactured in compliance with RoHS standards (free from hazardous substances such as lead, mercury, and cadmium). • Packaging is recyclable—dispose of it in accordance with local recycling guidelines.
Regulatory (Canada)	<ul style="list-style-type: none"> • ISED Canada Compliance: This Class B digital apparatus complies with ICES-003.“This device complies with ISED Canada licence-exempt RSS standards. Operation is subject to the following two conditions: (1) this device may not cause interference, and (2) this device must accept any interference, including interference that may cause undesired operation.” • CE Marking: This product meets relevant European Union directives for electromagnetic compatibility and product safety, and is approved for sale in Canada.

Parts and Features

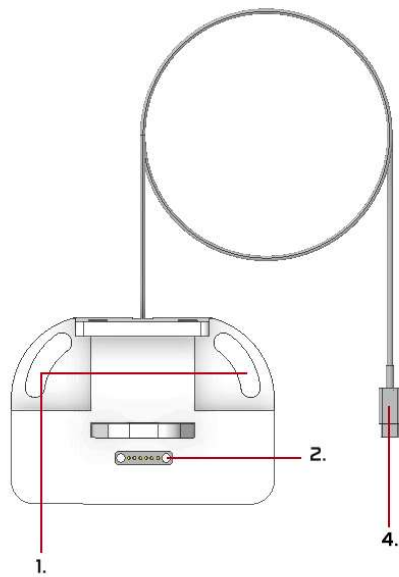


Figure 2. Top view

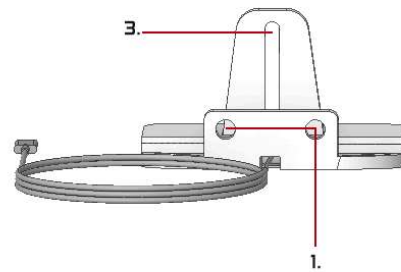


Figure 3. Rear View

1. Mounting slots
2. Magnetic connector
3. Safety screw and mounting slot
4. 6ft USB Cable

Mounting Options

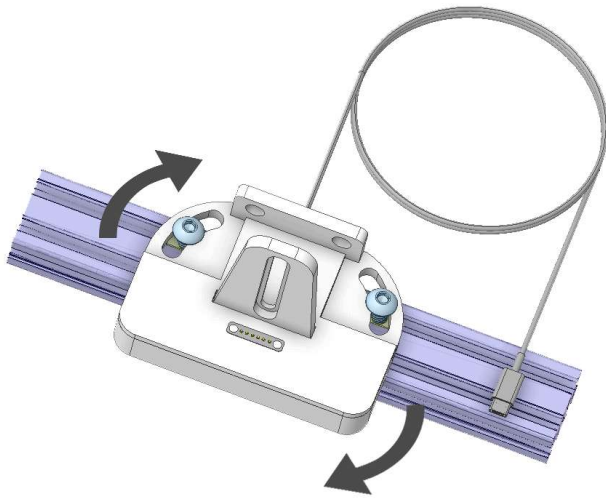


Figure 4. Top mount

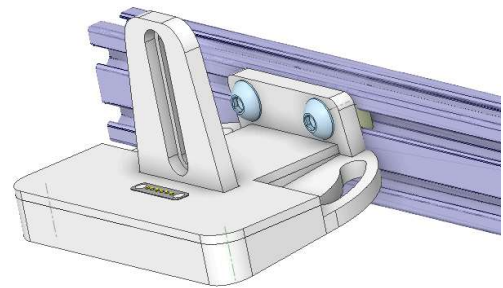


Figure 5. Rear mount

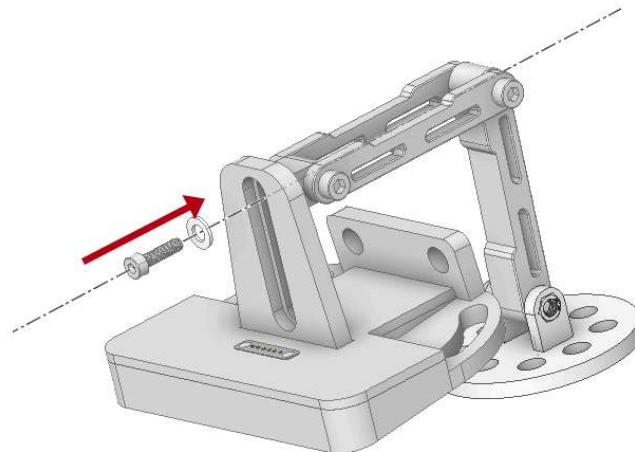


Figure 6. Adjustable mount combo

⚠ Safety Warning – Mounting and Screw Compatibility

For optimal safety and device integrity, **always use the safety screw provided by Vanquist**, when installing the unit on motion rigs or cockpits that may lack structural rigidity.

If you are using an adjustable mount, ensure it is vertically offset (up or down) to allow proper clearance for the safety screw.

Do not substitute the original screw. If replacement is necessary, the screw must match the exact **length and clearance specifications** of the original. Using an incorrect screw type or length may cause internal damage to the device and **will void your warranty**.

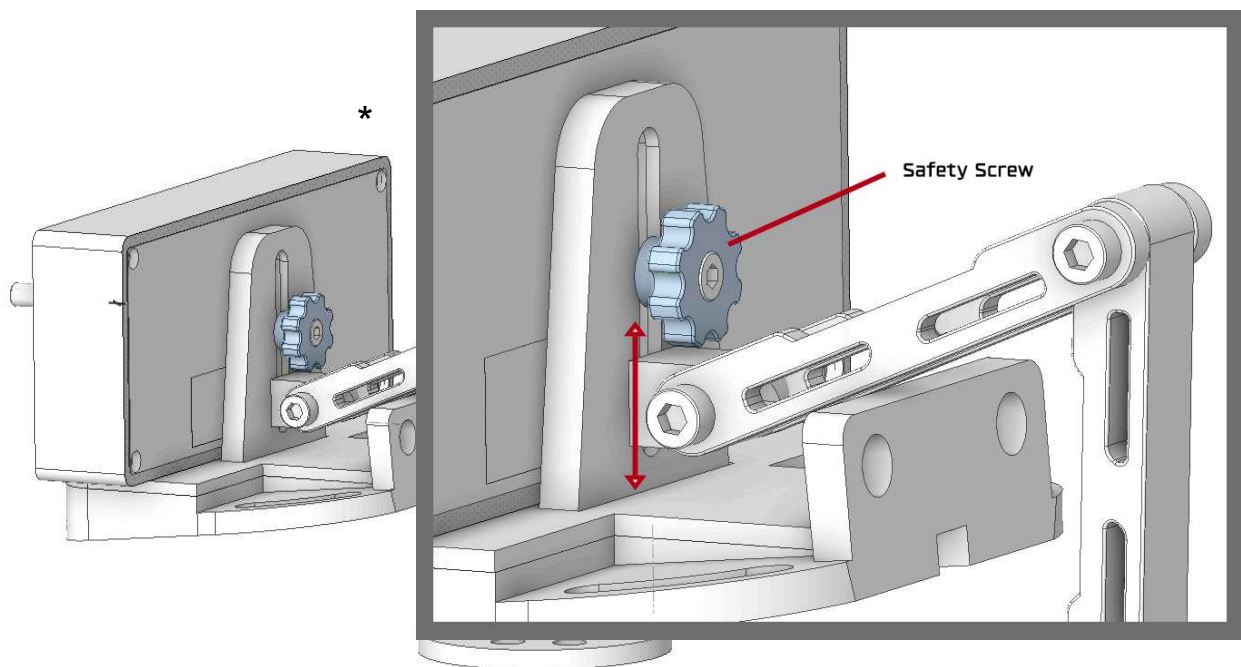


Figure 7. Safety screw / mount offset (*Lap Timer not included)

Operation

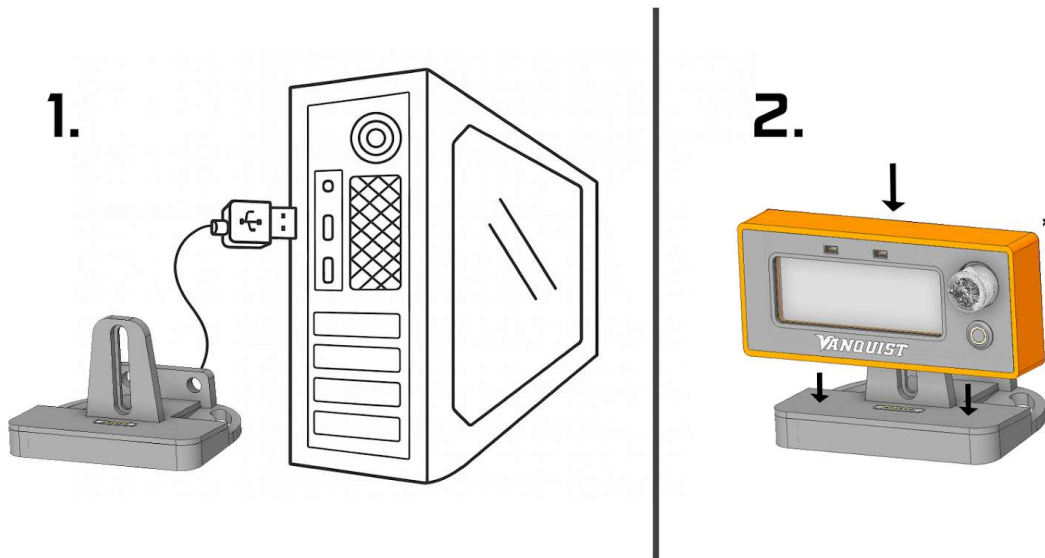
TrackLink Docking System Setup

The Vanquist TrackLink Docking System is a **plug-and-play** solution that requires **no software installation** for the dock itself.

However, the setup process may vary depending on the specific device connected to the docking station. Some devices may require additional software or drivers to function properly.

For detailed setup instructions, please refer to the **user manual of the connected device**.

Installation Steps



1. **Connect the USB cable** from the docking station to an available USB port on your PC.
2. **Attach your preferred Vanquist device** (*sold separately) to the docking station and follow the appropriate setup instructions provided in the device's user manual.

Troubleshooting

Symptom	Suggested Solution
The device I am connecting to the dock is turning on and off	<ul style="list-style-type: none">- If using a USB hub, try connecting directly to the PC.- If already connected to the PC, try a different USB port.- Try using a powered USB hub.- Connect and disconnect the device multiple times, pressing firmly and holding for a few seconds between attempts. The spring-loaded connector may occasionally stick and require reseating.
My device takes a long time to display an image or start functioning	Some devices may take longer to initialize during the first connection or after being unused with that dock for an extended period. Please allow time for the operating system and SimHub to recognize the device. Subsequent connections are typically faster.
My dock has a rattling sound, like something is loose inside	The magnetic connector inside the dock has a small clearance to allow movement and ensure compatibility with various devices. A slight rattling sound is normal and should not be noticeable when a device is properly connected.

Getting Help

Contacting Vanquist Support

For technical assistance or product support:

1. Visit vanquist.ca/contact-us
2. Complete the contact form with a detailed description of your issue
3. You will receive a confirmation email containing your **support ticket number**

Our support team will review your request and respond as soon as possible.